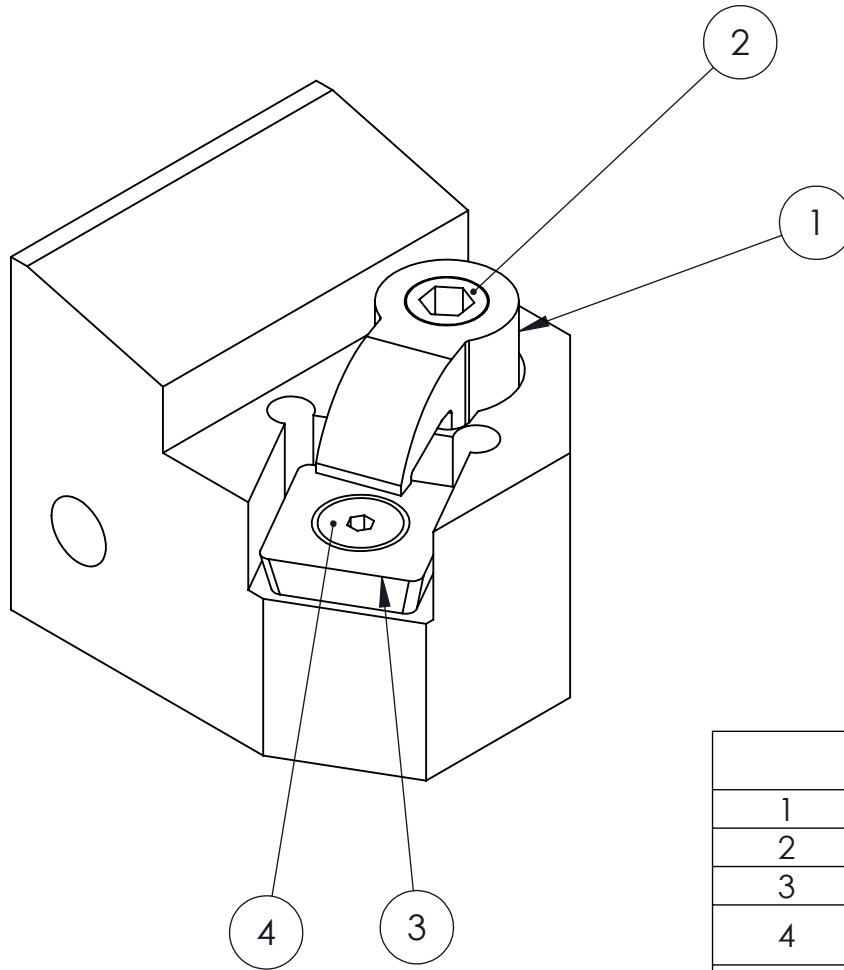


REVISIONS			
REV.	DESCRIPTION	DRAWN BY	DATE



	PART NUMBER	DESCRIPTION	QTY.
1	M10359	CLAMP, CL 20	1
2	M10360	CLAMP SCREW, XNS 47	1
3	M10361	SEAT, SM 40	1
4	M10362	SEAT SCREW, FHSCS #4-40	1
5	10478	TOOL HOLDER, 30 DEG, SPU-422 INSERT	1

Tolerance unless noted
 .000 ±.005
 .00 ±.01
 Fract ±1/16

Manufacturing Solutions, Inc.
 9485 College St, Beaumont, Texas

Assembly Title

TOOL HOLDER ASSEMBLY, 30 DEGM SPU-422

C3A

DRAWING SIZE	A	SCALE	2:1	SHEET	1 of 1	DO NOT SCALE DRAWING	ALL DIMENSIONS IN INCHES
DRAWN BY	JC	APPR BY	MGR	DATE	2/8/08	DRAWING NUMBER	12244
						REV	-

THIS PRINT IS THE PROPERTY OF MANUFACTURING SOLUTIONS, INC. THE INFORMATION CONTAINED HEREIN IS CONFIDENTIAL AND MAY NOT BE USED, DIVULGED, COPIED, NOR REPRODUCED WITHOUT THE EXPRESS WRITTEN PERMISSION OF MANUFACTURING SOLUTIONS, INC.

DRAWING NUMBER
12244

REV

-